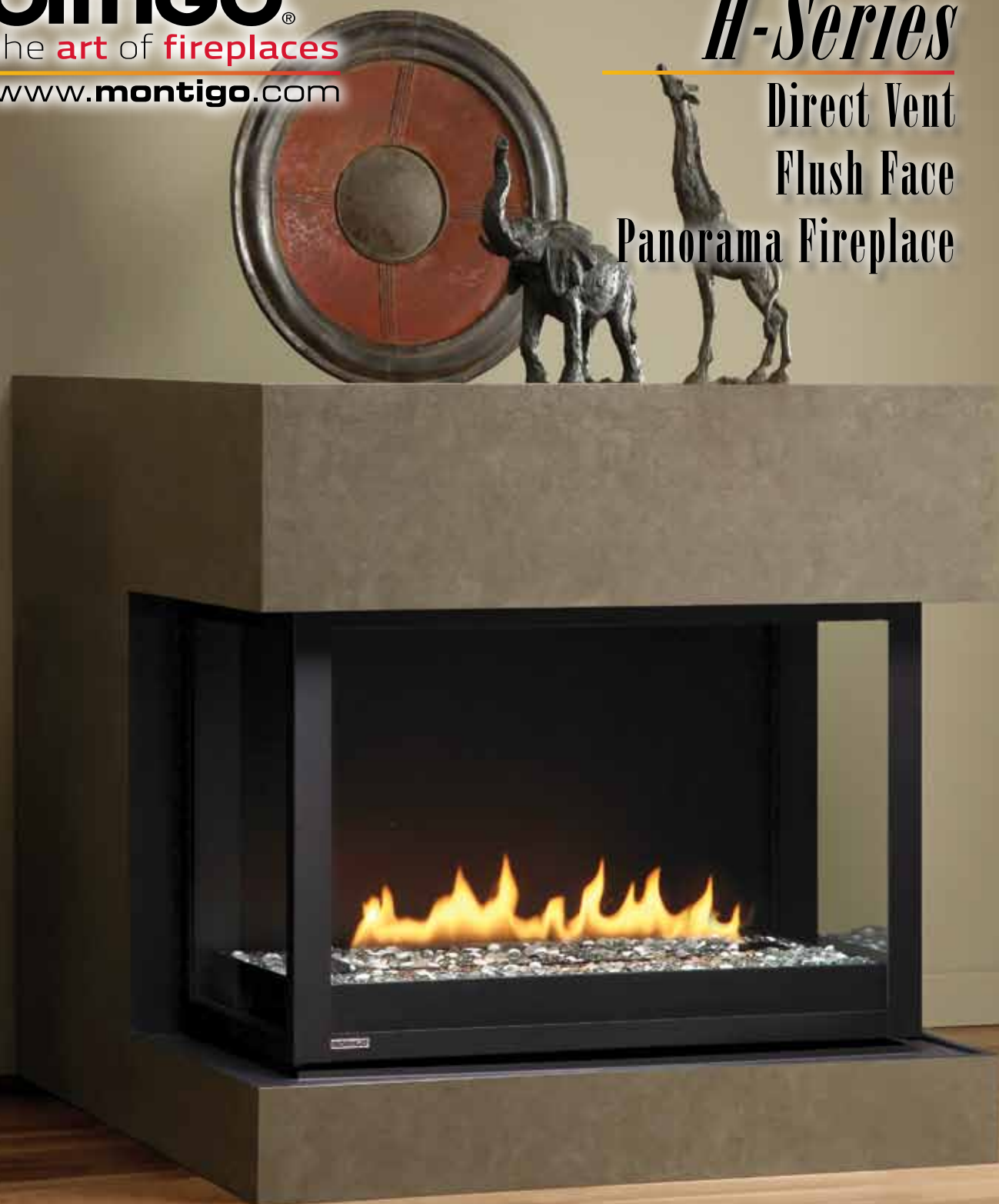




MONTIGO[®]
the art of fireplaces
www.montigo.com

H-Series
Direct Vent
Flush Face
Panorama Fireplace



H38DF-PRC with glass beads shown

H-Series



H38DF-PRC with glass beads shown

Direct Vent, Flush Face Panorama Fireplace

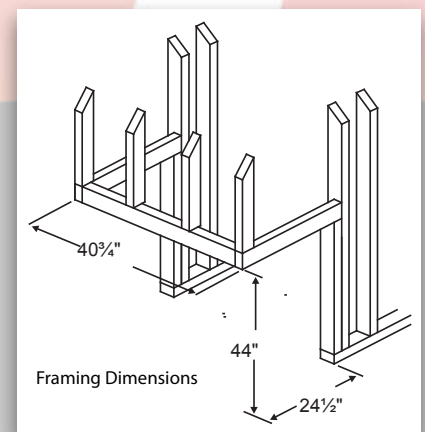
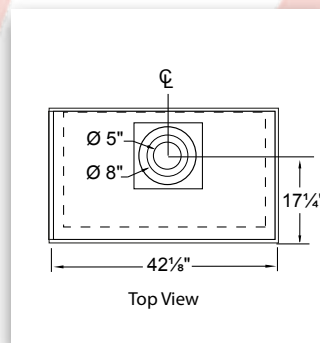
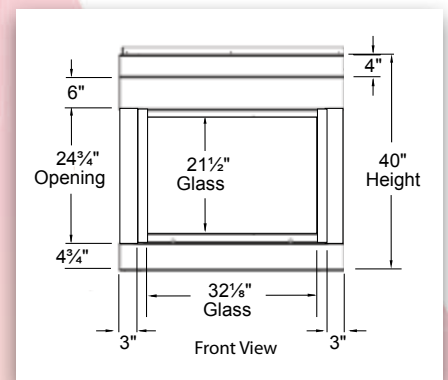
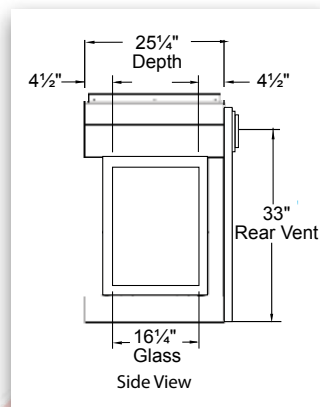
Heating your living space has never been more compelling with Montigo's Panorama Fireplace. This fireplace boasts a 1,744" viewing area, is energy efficient, clean burning and requires minimal cleaning/maintenance. Choose from traditional to contemporary burner styles with logs or glass beads to indulge your innate designer.

Features:

- Convertible using Top Vent or Side vent
- Flush or Clean-Face Design allows for brick or tile installation over the fireplace frame
- Unique linear burner design and technology
- Contemporary styling to fit your decor
- Large viewing areas for a full view of the spectacular fire
- Snap-Lock door system
- Hi/Lo control for adjusting flame level
- Piezo spark ignition
- Millivolt control allows for continuous operation, even during a power failure
- 100% fail-safe shut-off valve on all models

Options:

- Factory installed electronic ignition with available battery backup
- Wireless remote control
- A choice of 3 burner accessory styles: Traditional Logset, River Rocks and Linear Contemporary with Glass Beads†
- Full stainless steel construction for outdoor use



Fireplace BTU/H Input			
Model#	Natural Gas	Liquid Propane	Glass Size [L x H x W]
H38DF-PRC	34,000	32,000	32 1/2" X 21 1/2" X 16 1/4"
HL38DF-PRC	34,000	32,000	32 1/2" X 21 1/2" X 16 1/4"

Consult the owner's manual for complete installation instructions and proper clearances to combustible surfaces prior to installing fireplace.

All specifications, framing dimensions, product designs, materials and colors are subject to change without notice. The actual flame pattern and color may vary slightly from the illustrations. Diagrams and illustrations are not to scale.

†visit our website at www.montigo.com for glass bead colour samples and styles

Warranty: The manufacturer warrants this fireplace to be free from defects in materials and workmanship at the time of manufacture. There is a limited 10 year warranty on the firebox; 5 year limited warranty on the burner and 1 year limited warranty on the pilot burner assembly and fan motors (if included). The valve carries a limited 1 year warranty unless otherwise specified in the installation manual. Glass, plated/painted finishes and refractory lining are exempt.



www.montigo.com

Ferndale, Washington
TF 1.800.789.6236
FX 1.866.300.0927

Langley, British Columbia
TF 1.800.378.3115
FX 1.604.607.6462



Available at:

Printed in Canada

P/N XB2014

030711